

VOLUMETRIC DOSERS FOR COFFEE GRINDERS



SERIES 253

Our Dosers Series 253 are devices suitable for dosing ground coffee with an adjustment facility. Coffee dosage adjustment is achieved mechanically by means of a micro switch activating a solenoid. Dosers Series 253 can be mounted to our Grinders.

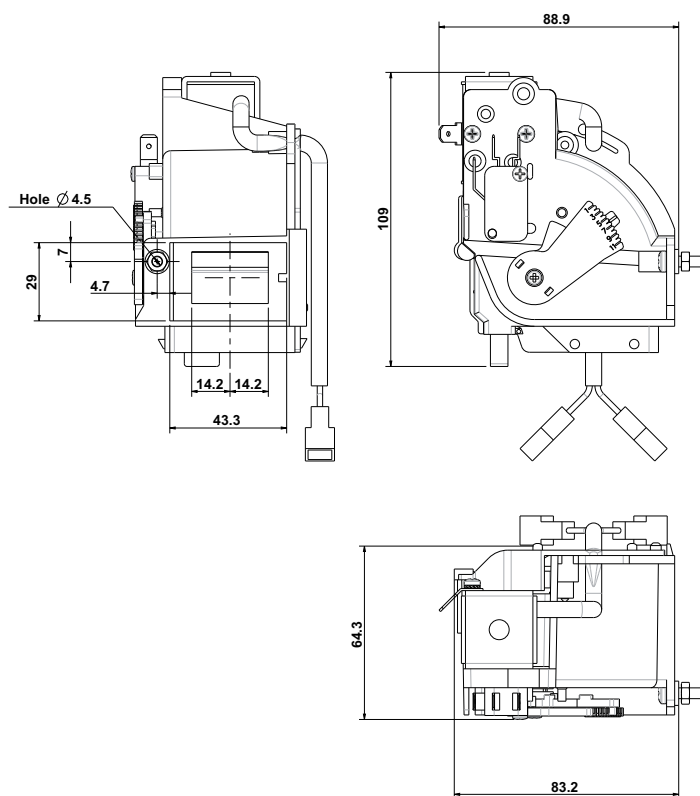
TYPICAL APPLICATIONS

- Hot beverage vending machines
- Ground coffee dispensers
- Coffee machines

SERIES 253

- Power supply to electromagnet ED 5% AC 110V 60Hz
- Power supply to electromagnet ED 5% AC 230V 50Hz
- Power supply to electromagnet ED 5% DC 24V
- Thermal protector PTC 80/100 °C
- Activated by means of a micro switch and solenoid.

VOLUMETRIC DOSERS FOR COFFEE GRINDERS



SERIES 253

DOSER LEVER POSITION	1	(2)	3	(4)	5	(6)	7	(8)	9	(10)	(11)
GRAMS THROW	5,5	6	6,5	7	7,5	8	8,5	9	9,5	10	10,5

The referred weights are based on a medium granular coffee grind.

Each indexed position refers to an approximate dose of 0,5 gr. \pm 0,1 gr.

Each comparable granular dose may have a \pm 0,2 gr. variation.

N.B. The index positions indicated in brackets do not appear on the doser scale.

TECHNICAL DATA

- Capacity from 5,5 gr to 10,5 gr with a medium degree ref. CEI EN 60661
- The manufacturing materials used for contact with coffee are suitable for the specific alimentary use
- Ambient temperature 4 to 40°C
- Compliant with RoHS directive 2011/65/EU

COMPONENTI VENDING S.P.A. RESERVE RIGHT TO MODIFY THE PRESENT PRODUCT EVERY MOMENT AND WITHOUT NOTICE.

2 OF 2

Componenti Vending S.p.A. Via E. Mattei, snc - 27022 Casorate Primo (PV) - Italy

■ telephone +39.02.908.49.637 ■ fax +39.02.908.49.642

■ info@compo.it ■ www.compo.it

**COMPANY WITH
QUALITY SYSTEM
CERTIFIED BY DNV GL
= ISO 9001 =**