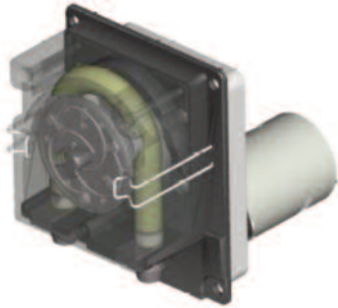
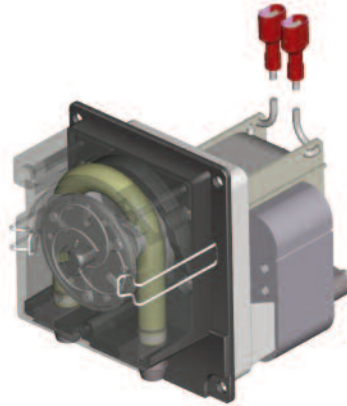


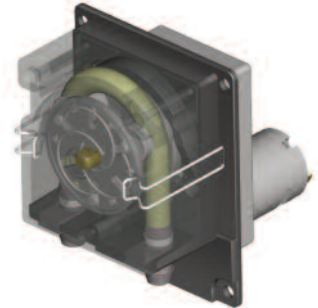
## PERISTALTIC PUMPS



SERIES 683



SERIES 684



SERIES 682

Peristaltic pumps are self-priming devices designed to deliver accurate and constant volumes of a vast range of liquids.

Our Series 68 are compact, modular and have the fundamental characteristic of keeping separate pumped liquids from all mechanical elements of the pump.

All the peristaltic pumps Series 68 mount our [Gearmotors](#).

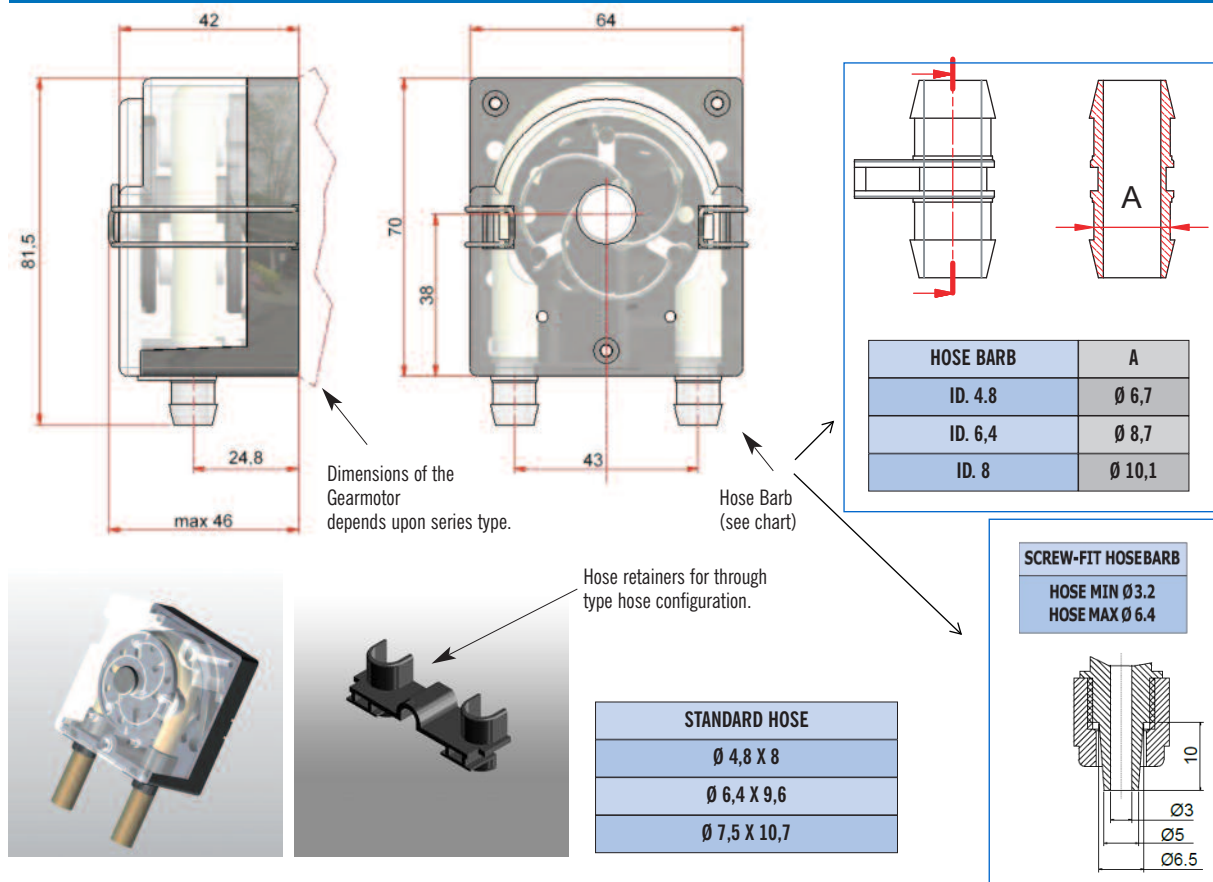
## TYPICAL APPLICATIONS

- Food industry;
- Hot beverage machines and drink dispensers;
- Industrial equipment for dosing detergents, oils, etc;

## FEATURES

- No pump or fluid contamination
- Self-priming, dry running
- Accurate and repeatable flow rates
- Easy disassembly and assembly of pump
- Easy tube replacement
- Reduced maintenance
- Resistant to a vast range of chemical products
- Reversible rotation (only for 12/24V DC)
- 2-3-6 roller pump heads, to match your flow and precision needs
- Available with or without metal fixing plate
- Encoder on the motor available

## PERISTALTIC PUMPS



## CHARACTERISTICS

### SERIES 683

- Power supply DC 12/24 Volt.
- Gearmotor with metal gearbox and gears designed to guarantee elevated flow rates.
- Hosing available in Silicone or Santoprene (food applications).
- Tygon and Viton (chemical and industrial).

### SERIES 684

- Power supply AC 117/230 Volt 50/60 Hz.
- Gearmotor with metal gearbox and gears designed to guarantee elevated flow rates.
- Hosing available in Silicone or Santoprene (food applications).
- Tygon and Viton (chemical and industrial).

### SERIES 682

- Power supply DC 12/24 Volt.
- Gearmotor with plastic gearbox and gears designed to guarantee quality performance with low to medium flow capacity.
- Hosing available in Silicone or Santoprene (food applications).
- Tygon and Viton (chemical and industrial).

## PERISTALTIC PUMPS

### TECHNICAL DATA

- Medium water output values (ml/min) typical configurations: **with 3 spring rollers, single head, santoprene hose.**  
The values decrease with the hardening of the hose. The RPMs are only for references.

#### SERIES 683 12/24V DC

(ml/min)

Ø HOSE	25 RPM	50 RPM	83 RPM	116 RPM	135 RPM	160 RPM	200 RPM	300 RPM
4,8X8,0	50	120	190	260	320	350	440	690
6,4X9,6	70	160	270	370	440	480	610	980
7,5X10,7	90	195	315	410	585	625	740	1200

#### SERIES 684 117V AC / 60HZ

(ml/min)

Ø HOSE	27 RPM	50 RPM	83 RPM	116 RPM	135 RPM
4,8X8,0	70	130	220	290	340
6,4X9,6	100	190	310	460	540
7,5X10,7	130	220	400	600	700

#### SERIES 684 230V AC / 50HZ

(ml/min)

Ø HOSE	27 RPM	50 RPM	83 RPM	116 RPM	135 RPM	200 RPM	260 RPM
4,8X8,0	60	110	180	250	290	415	535
6,4X9,6	80	160	260	360	420	610	770
7,5X10,7	95	175	295	410	495	770	895

#### SERIES 682 12/24V DC (MOTOR TYPE A)

(ml/min)

Ø HOSE	30 RPM	50 RPM	90 RPM	130 RPM	145 RPM
4,8X8,0	60	100	150	220	315
6,4X9,6	80	130	200	300	475
7,5X10,7	105	160	290	415	585

OTHER VALUES ARE AVAILABLE ON REQUEST.

- Variable output flow range from 0.05 L/min to 1.2 L/min.
- Pump configurations from 2-3 rollers fixed or sprung or 6 rollers fixed.
- Input/output push-in barb available on version ID4.8 ID6.4 or ID8.
- Input/output screw-fit barb available, suitable for hoses from ID 3.2 to ID6.4.
- Hoses and barbs are produced in materials suitable to the contact with foods.
- Special Hoses made of Tygon or Viton for specific industrial applications.
- Compliant with RoHS directive 2011/65/EU