

PERISTALTIC PUMP SERIES 64 (QUICK FIT)



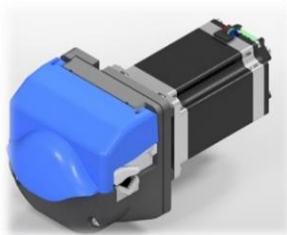
SERIES 643
MRID FLAT 24V DC



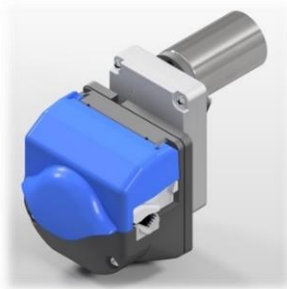
SERIES 644
MRID FLAT 230V AC



SERIES 646
MOTORE SPUR



SERIES 647
STEPPER MOTOR



SERIES 648
MRID FLAT BRUSHLESS



SERIES 649
PLANETARY MOTOR

FLUID DIVISION

Our “Quick Fit” peristaltic pumps are removable head self-priming devices designed to deliver accurate and constant volumes of a wide range of liquids. Our 64 series is compact and has the fundamental feature of keeping the pumped liquids separate from all the mechanical elements of the pump itself.

Our 64 series peristaltic pumps can be fitted with a wide range of gearmotors.

TYPICAL APPLICATIONS

- Food industry.
- Automatic dispensers for hot and cold beverages.
- Industrial equipment for the dosage of detergents, oils, etc.

FEATURES

- Removable head with bayonet coupling system.
- No pump or liquid contamination.
- Self-priming, dry run.
- Accuracy and repeatability of the flow rate.
- Easy pump disassembly and reassembly.
- Low maintenance.
- Maximum pump flow rate of 2620 ml/min.
- Reversible rotation (only for 12 / 24V DC).
- Pump configurations with fixed rollers or rollers with springs.
- Available in different types of motors, also with encoder on request.
- Clamshell door opening for quick tube replacement.

PERISTALTIC PUMP SERIES 64 (QUICK FIT)

TECHNICAL DATA

The average water flow rate (ml / min) was measured at temperatures of 20 ° C using a typical configuration: roller with springs, new 8x12 silicone tube.

SERIE 643 FLAT MOTOR 24V DC (ml/min)

Ø HOSE	116 RPM	160 RPM	200 RPM	300 RPM
8x12	700	850	1150	2000

SERIE 644 FLAT MOTOR 230V AC/50Hz (ml/min)

Ø HOSE	50 RPM	83 RPM	135 RPM
8x12	330	570	810

SERIE 646 SPUR MOTOR 24V DC (ml/min)

Ø HOSE	100 RPM	155 RPM	280 RPM
8x12	550	900	1550

SERIE 647 STEPPER MOTOR 24V DC (ml/min)

Ø HOSE	50 RPM	100 RPM	200 RPM	300 RPM	450 RPM
8x12	277	546	1105	1707	2619

SERIE 648 BRUSHLESS MOTOR 24V DC (ml/min)

Ø HOSE	135 RPM
8x12	1800

SERIE 649 PLANETARY MOTOR 24V DC (ml/min)

Ø HOSE	87 RPM
8x12	550

Below is the indicative range of flow rates using other hose sizes. (from 50rpm to 300rpm)

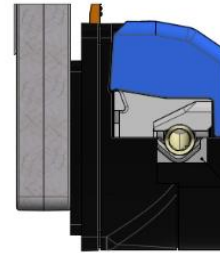
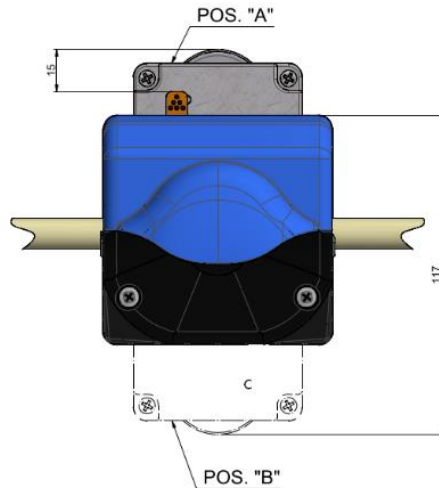
HOSE	MIN FLOW (ml/min)	MAX FLOW (ml/min)
4,8 x 8	120	725
6,4 x 9,6	197	1165
7,5 x 10,7	260	1570
8 x 12	275	2620

OTHER VALUES ARE AVAILABLE ON REQUEST

PERISTALTIC PUMP SERIES 64 (QUICK FIT)

CONFIGURATIONS

- Differentiated hose retainer according to the hose used.

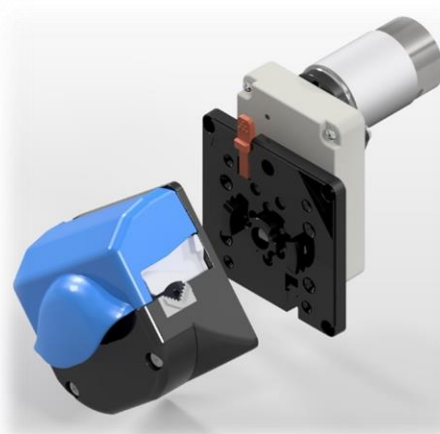


	Guida Tubi Hose Retainer S64 PUMP	
1		Da 11+13
2		Da 10+11
3		Da 8+9
4		Da 4+5

Tube thickness from 1.6mm to 2.4mm

- Two gearmotor positions available.
- Conform to RoHS 2011/65/EU.

FLUID DIVISION



**PUMP BODY RELEASE FROM INTERFACE
THANKS TO THE BAYONET LEVER**