

**APPLICABLE SPEC. 1487
TECHNICAL DATA**

OPERATING VOLTAGE	24 Vdc
DUTY CYCLE	CONTINUOUS
ROTATION	BIDIRECTIONAL
NO LOAD DATA	
POWER IN	MAX 21.6 W
FLOW DATA	
PEAK CURRENT AT THE START UP	MAX 1.2 A
TYPICAL PUMP NOISE @200mm	
	MAX 73 dB A

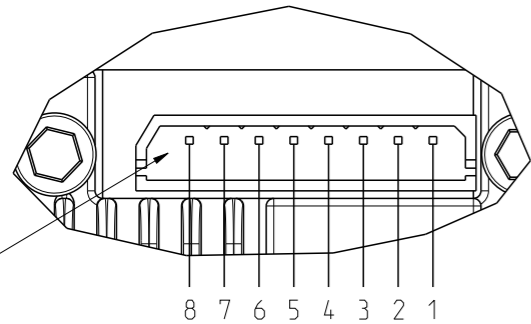
RPM	NO LOAD DATA CURRENT (A/dc)	CURRENT AT WORK (A/dc)	CURRENT AT STALL (A/dc)	FLOW RATE (SILICONE HOSE 8X12) (ml/min)
50	0.67	0.69/0.73	0.79	277
100	0.72	0.79/0.84	0.93	546
200	0.89	1.02/1.07	1.15	1105
300	0.8	1.08/1.12	0.86	1707
450	0.55	1.08/1.12	0.88	2619

Optical sensor OMRON EE-SX4161-W11
Power supply voltage of 4,5 to 16 V

Connector Molex 39012060 + female terminal P/N 39000046

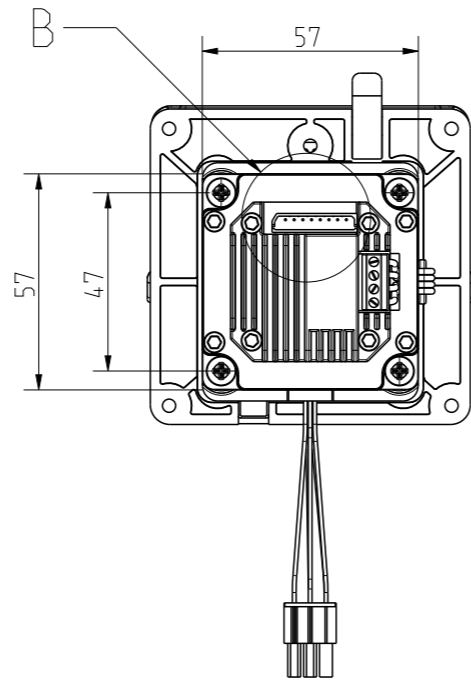
Terminal n°	Wire Color	Name
1	Green	Ground (GND)
2	Blue	Output (OUT)
3	White	Power supply (Vcc)
4	Red	Anode
5	Black	Cathode
6	-	-

CONNECTION TO THE MOTOR

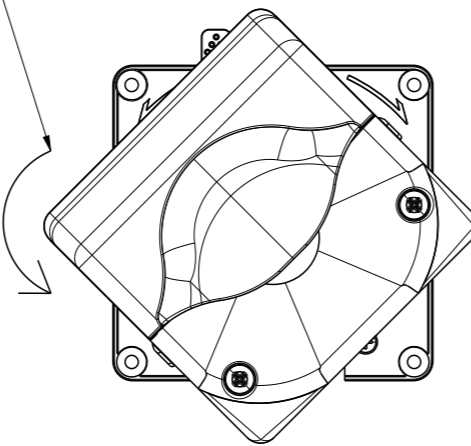


Connector Molex PN 22035085 (mates with Molex PN 50375083)

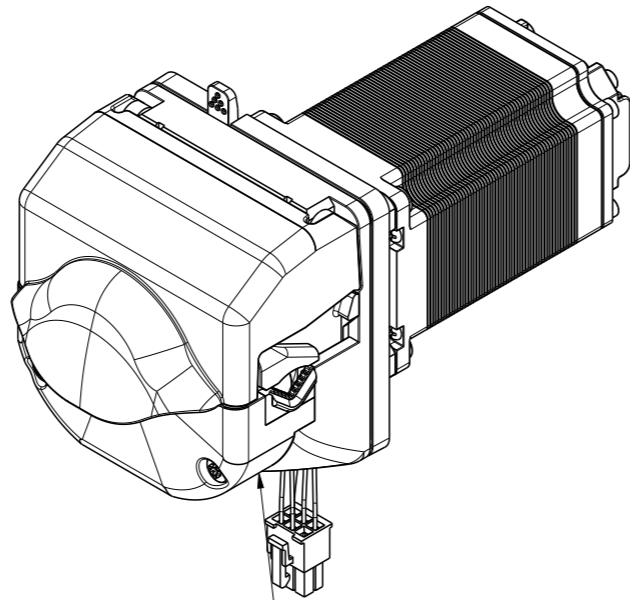
Terminal No.	Designator	Description
1	V +	Supply voltage 10 - 40 VDC
2	GND	Supply voltage ground
3	ENA	Enable/Disable H-bridge. Low-level (shorten to GND): rotoris in free state High-level/dangling: motor is in controlled state
4	ON	Run/Stop. Low-level (shorten to GND): motor is locked High-level/dangling: motor is in controlled state
5	H/L	Speed Range selection. Low-level (shorten to GND): low speed High-level/dangling: high speed
6	DIR	Direction input. Controlled by H/L level. Dangling is regarded as high level.
7	Vr	5V Reference Voltage output
8	SPD	Speed Control Voltage input (0 - 5V)



Counterclockwise rotation - Opening

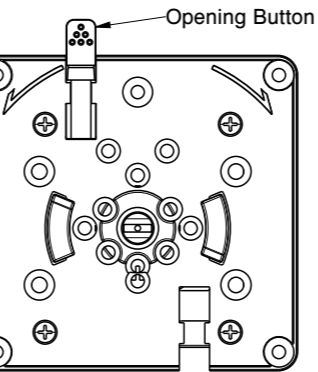
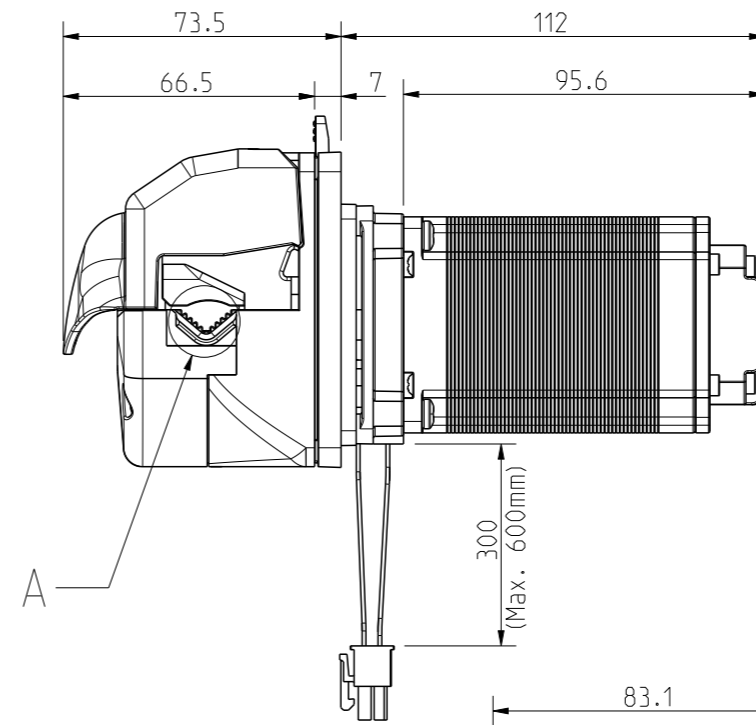


Clockwise rotation - Closed

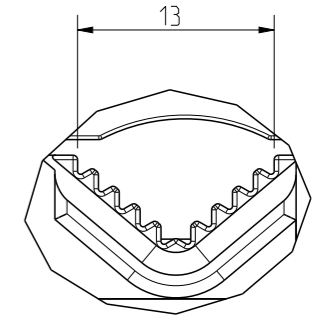
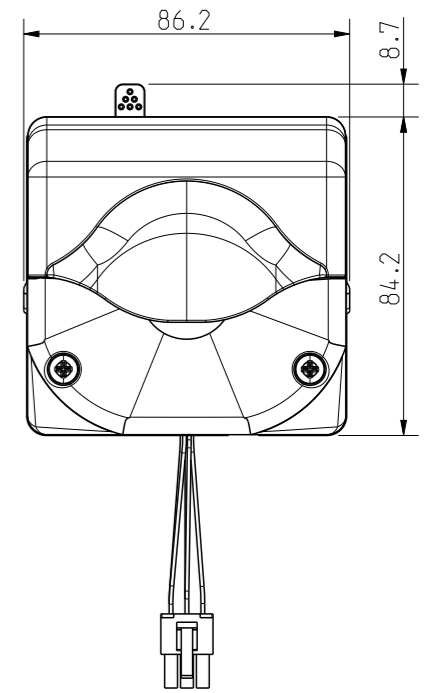
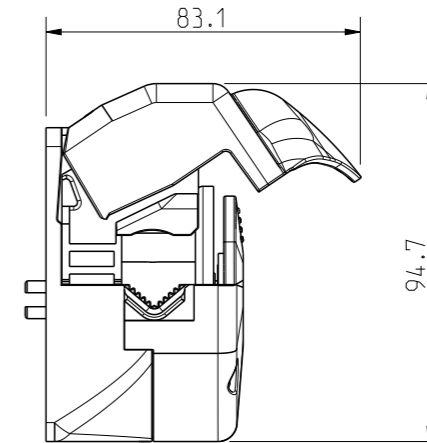


PUMP LABEL

Componenti Vending
Peristaltic pump
P/N 647J4000V00E1A
24 VDC
Week WW/YY



Opening Button



Rev.	Date	Drawn	Approved	Changes	Ref.	N° SRC
C	29/11/21	CP	LC	Aggiunto specifiche connettore		-
B	15/07/21	CP	LC	Aggiunto specifiche di cablaggio		-
A	16/02/21	CP	LC	Prima emissione		-

Conform to: 2011/65/EU (RoHS)		Code 3D model: n.a.		
Notes and prescription: --		Replace code: n.a.		
Description/name: PMR STEPPER 24VDC 3 RULLI C/M-S/TUBO-C/PIASTRA COP. COMPO QF		Code equipment/mould: n.a.		This document contains information which is proprietary to "COMPONENTI VENDING S.p.A." No reproduction or publication of this document in whole or in part shall be made without the written approval of C.V. S.p.A. Tollerances unless otherwise stated:
Material: --		Treatment: --		
Date: 16/02/2021		Drawn: CP		Weight: 0.000
Approved: LC		Code drawing: CPP3672 C		Size: A3
Code Article: 647J4000V00E1A		Code drawing: CPP3672 C		Sheet: 1/1
Scale: 1:2		Code drawing: CPP3672 C		Prog.N°: CM144